



Dare to be DiFFerent

Outdoor

**Let's make your dream
adventure come true**



www.dtbdoutdoor.eu



Travel to your dream destination

What started with a family camping trip in the Netherlands grew into one of the biggest players in rooftop tents in Europe and a community of adventurers in over 15 countries.

Dare to be Different is run by a passionate team. We describe ourselves as adventurers and explorers.



Enjoy nature through experience



We want to discover the most beautiful places. Our team has years of experience, not only in camping with a soft-shell rooftop tent, but especially in enjoying the outdoors and we like to share that experience with you!

We enjoy nature in its purest form. There is nothing better than sleeping in the open air. Waking up in the morning, walking down the ladder, making a cup of coffee or tea, baking an egg and making memories that last a lifetime!

The importance of the **right gear**



The world is at your feet



Whether you're preparing yourself for a lengthy expedition or just for a weekend, it's important to choose the correct equipment. Our outdoor equipment will allow you to go further and to camp smarter. The world is at your feet.

Experience more spontaneous adventures, without having to make concessions. Easily and quickly turn your car into a house on wheels with our outdoor gear.

Rooftents

The story of your life is told in adventures, and we want to give everyone the opportunity to have their own adventure. That is why we offer a wide range of rooftents and accessories, which we continuously develop and improve. So, there is a suitable solution for everyone to make it possible to get out there. In our range we have:

- | | | |
|---------------------|---|--|
| 1. 140 Light weight | - | Our lightest rooftop tent |
| 2. 140 S | - | Standard two-person rooftop tent |
| 3. 140 L | - | Two-person rooftop tent with dry entrance |
| 4. 140 Sitta | - | The first European made rooftent |
| 5. 180 Sitta | - | Three-person TenCate rooftent |
| 5. 180 L Deluxe | - | Three-person rooftop tent with sky windows |
| 6. 220XL | - | A family rooftop tent suited for four adults |
| 7. Aniewhere | - | 100% Dutch made rooftent |

A whole adventure by you, for you

WWW.DTBDOUTDOOR.EU





140 Light Weight

The 140 Light Weight is a two person rooftop tent and the lightest in our range. With only 48kg and a height of 28cm folded this is our smallest rooftop tent and fits every car.

Color: 

Included: Telescopic ladder 2.3m



PU-coating



2 Years warranty



UV50+ Coating



Waterproof 2000mm

Specifications

Size Folded	-	143cm x 125cm x 28cm (l x w x h)
Size set up	-	235cm x 143cm x 126cm (l x w x h)
Size mattress	-	230cm x 140cm x 4cm (l x w x h)
Weight	-	48kg
Fly top fabric	-	200D 120gram/m ² Polyester
Tent fabric	-	200D 120gram/m ² Polyester
Cover fabric	-	PVC (1000D-350g)
Mattress cover	-	Top layer Tricot, 5 sides polyester
Bottom plate	-	Aluminium Sandwich constructed baseplate with insulation and glued.



140S - Standard series

The 140S is our standard two-person rooftop tent. This rooftop tent offers a 360-degree view that makes you feel like you're really in the wild. This series of rooftop tents weighs 59kg and has a generous mattress of 230 cm (L) by 140 cm (W).

Color:  

Included: Telescopic ladder 2.3m
8 mm anti-fog mattress
EZI Organizer
EZI Sky clips
EZI Carryall



PU-coating



2 Years warranty



UV50+ Coating



Waterproof 2500mm



Breathable materials

Specifications

Size Folded	-	143cm x 125cm x 35cm (l x w x h)
Size set up	-	235cm x 143cm x 126cm (l x w x h)
Size mattress	-	230cm x 140cm x 6cm (l x w x h)
Weight	-	59Kg
Fly top fabric	-	420D 100% polyester Oxford 420D
Tent fabric	-	300g canvas (35% cotton / 65% polyester)
Cover fabric	-	PVC (1200D-680g)
Mattress cover	-	100% Fleece for an extra soft finish
Bottom plate	-	Lightweight plastic honeycomb base plate



140L - Standard series

The 140L is our standard two person ready-for-anything rooftop tent. Extendable with an annex to make sure you have enough room for your adventure. This series of rooftop tents have a dry entrance and a weight of 59Kg.

Color:  

Included: Telescopic ladder 2.3m
8 mm anti-fog mattress
EZI Organizer
EZI Sky clips
EZI Carryall



PU-coating



2 Years warranty



UV50+ Coating



Waterproof 2500mm



Breathable materials

Specifications

Size Folded	-	143cm x 125cm x 35cm (l x w x h)
Size set up	-	310cm x 143cm x 126cm (l x w x h)
Size mattress	-	230cm x 140cm x 6cm (l x w x h)
Weight	-	59Kg
Fly top fabric	-	420D 100% polyester Oxford 420D
Tent fabric	-	300g canvas (35% cotton / 65% polyester)
Cover fabric	-	PVC (1200D-680g)
Mattress cover	-	100% Fleece for an extra soft finish
Bottom plate	-	Lightweight plastic honeycomb base plate



140 Sitta - European Made

Great for a weekend getaway or a long road-trip. The Sitta is made for adventure and enjoying the view! Made with dutch TenCate ka-10 PolyCotton. This gives the tent a breathability and ensures strong materials. Perfect for a two person getaway!

Color: 

Included: Telescopic ladder 2.3m
10 mm anti-fog mattress
EZI Organizer
EZI Sky clips
EZI Carryall



PU-coating



2 Years warranty



Mold and dirt repellent



Waterproof 3000mm



Breathable PolyCotton



TenCate KA-10

Specifications

Size Folded	-	143cm x 125cm x 35cm	(l x w x h)
Size set up	-	310 x 143cm x 126cm	(l x w x h)
Size mattress	-	230cm x 140cm x 6cm	(l x w x h)
Weight	-	59Kg	
Fly top fabric	-	TenCate ka-10, 50% polyester / 50% cotton	
Tent fabric	-	270g TenCate ka-10, 50% polyester / 50% cotton	
Cover fabric	-	PVC (1200D-680g)	
Mattress cover	-	100% Fleece for an extra soft finish	
Bottom plate	-	Lightweight aluminium honeycomb base plate	



180 Sitta - European Made

Discover the Sitta 180, the bigger brother of our Sitta 140, designed for three people. With a spacious 180cm by 230cm bed, the Sitta 180 combines an intense sense of freedom with ultimate comfort. Ideal for three persons!

Color: 

Included: Telescopic ladder 2.3m
10 mm anti-fog mattress
EZI Organizer
EZI Sky clips
EZI Carryall



PU-coating



2 Years warranty



Mold and dirt repellent



Waterproof 3000mm



Breathable PolyCotton



TenCate KA-10

Specifications

Size Folded	-	183cm x 125cm x 35cm	(l x w x h)
Size set up	-	310 x 183cm x 126cm	(l x w x h)
Size mattress	-	230cm x 180cm x 6cm	(l x w x h)
Weight	-	69Kg	
Fly top fabric	-	TenCate ka-10, 50% polyester / 50% cotton	
Tent fabric	-	270g TenCate ka-10, 50% polyester / 50% cotton	
Cover fabric	-	PVC (1200D-680g)	
Mattress cover	-	100% Fleece for an extra soft finish	
Bottom plate	-	Lightweight aluminium honeycomb base plate	



180L Deluxe - Small family

Would you like to go on vacation with three persons and look at the stars? Or do you just want a little more space for you and your partner? Thanks to the queen-sized mattress of 230 x 180cm, you have more than enough space and can truly enjoy your vacation in luxury.

Color:  

Included: Telescopic ladder 2.3m
8 mm anti-fog mattress
EZI Organizer
EZI Sky clips
EZI Carryall



PU-coating



2 Years warranty



UV50+ Coating



Waterproof 2500mm



Breathable materials

Specifications

Size Folded	-	183cm x 125cm x 35cm (l x w x h)
Size set up	-	310cm x 143cm x 126cm (l x w x h)
Size mattress	-	230cm x 180cm x 6cm (l x w x h)
Weight	-	69Kg
Fly top fabric	-	420D 100% polyester Oxford 420D
Tent fabric	-	300g canvas (35% cotton / 65% polyester)
Cover fabric	-	PVC (1200D-680g)
Mattress cover	-	100% Fleece for an extra soft finish
Bottom plate	-	Lightweight plastic honeycomb base plate



220XL - Family

The 220XL is our family rooftop tent, suitable for four to five persons. So, you can take the whole family on a comfortable and compact adventure. Thanks to the spacious mattress of 240 x 220cm. You don't need to spend hours building up a tent with our 220XL rooftop tent.

Color: 

Included: 2 x Telescopic ladder 2.3m
8 mm anti-fog mattress
EZI Organizer
EZI Sky clips
EZI Carryall



PU-coating



2 Years warranty



UV50+ Coating



Waterproof 2500mm



Breathable materials

Specifications

Size Folded	-	223cm x 125cm x 35cm (l x w x h)
Size set up	-	310cm x 223cm x 126cm (l x w x h)
Size mattress	-	230cm x 220cm x 6cm (l x w x h)
Weight	-	75Kg
Fly top fabric	-	420D 100% polyester Oxford 420D
Tent fabric	-	400g canvas (35% cotton / 65% polyester)
Cover fabric	-	PVC (1200D-680g)
Mattress cover	-	100% Fleece for an extra soft finish
Bottom plate	-	Lightweight plastic honeycomb base plate



Aniewhere - Dutch made

The Aniewhere is a robust, adventurous camping machine. Developed for the real adventurers who go the extra mile. Made entirely from high-quality aluminum and 100% Dutch-made. Yes, that's right, we assemble these rooftoptents ourselves.

Color:  

Included: Telescopic ladder 2.3m



2 Years warranty



UV50+ Coating



Waterproof 2500mm



Breathable materials

Specifications

Size Folded	-	220cm x 142cm x 28cm (l x w x h)
Size set up	-	220cm x 142cm x 150cm (l x w x h)
Size mattress	-	210cm x 138cm x 6cm (l x w x h)
Weight	-	50Kg
Fly top fabric	-	Dutch Acrylic canvas 290 g
Tent fabric	-	Dutch Acrylic canvas 290 g
Cover fabric	-	PVC (1200D-680g)
Mattress cover	-	100% Tricot for a soft finish
Bottom plate	-	Aluminium Sandwich constructed baseplate with insulation and high-pressure glued.

**Make your trip
complete with
an annex**



Annexes

An annex is an extra piece of living space, providing just a little more privacy and convenience. Our annexes have three access options in addition to the rear door. So, you can enter the annex from any side. The annexes are designed for comfortably living with your family. During good or bad weather. In warm weather you can ventilate efficiently and when it rains you can simply open the windows to be able to look outside and let the light in.

Good to know: All Annexes have three entrances, PVC windows, mosquito netting for windows and doors and a removable groundsheet. At the rear we also have a fourth door that allows you to access your gear in the car. Our annex are suitable for:

1. 140 L
 2. 140 Sitta
 3. 180 Sitta
 4. 180 L Deluxe
 5. 220XL
- Two-person rooftop tent with dry entrance
 - The first European made rooftop tent
 - Three-person TenCate rooftop tent
 - Three-person rooftop tent with sky windows
 - A family rooftop tent suited for four adults

Transform your campsite into a fully sheltered retreat





140L - Annex

The Annex 140L is suitable for two or three persons to sit and eat at a camping table. Extend the rooftop tent 140L or the 140L Deluxe and create an extra sleeping place for an extra guest or a place to take shelter in the rain.

Color:



Accessories:

Height extender 15cm



PU Coating



Waterproof 2500mm



UV50+ Coating

Included	-	Ground pegs and ground sheet
Set-up-time	-	15 min
Surface area	-	4,5 m ²
Weight	-	10 KG
Heights	-	170cm or 200cm
Tent fabric	-	420D 100% polyester Oxford ripstop
Access doors	-	3 entrance doors with windows and mosquito mesh
Car access	-	1 full zip door at the back panel



180L Deluxe - Annex

The annex room for the 180L provides a huge surface area under the rooftop tent that not only provides more living space and privacy, but also extends the camping season. So you can enjoy the outdoors for longer!

Color:



Accessories:

Height extender 15cm



PU Coating



Waterproof 2500mm



UV50+ Coating

Included	-	Ground pegs and ground sheet
Set-up-time	-	15 min
Surface area	-	6,5 m ²
Weight	-	12 KG
Heights	-	170cm or 200cm
Tent fabric	-	420D 100% polyester Oxford ripstop
Access doors	-	3 entrance doors with mosquito mesh and windows
Car access	-	1 full zip door at the back panel



220XL Family - Annex

The 220XL annex room is easy to put up and within 15 minutes you will have an extra living room! No more hassle with large, complicated tents. Simply zip the annex room to the 220XL and you are ready to go.

Color



Accessories:

Height extender 15cm



PU Coating



Waterproof 2500mm



UV50+ Coating

Included	-	Ground pegs and ground sheet
Set-up-time	-	15 min
Surface area	-	7,5 m ²
Weight	-	12 KG
Heights	-	200cm
Tent fabric	-	420D 100% polyester Oxford ripstop
Access doors	-	3 entrance doors with mosquito mesh and windows
Car access	-	1 full zip door at the back panel



Sitta Annex for the 140 & 180

The 140L is our standard two person ready-for-anything rooftop tent. Extendable with an annex to make sure you have enough room for your adventure. This series of rooftop tents have a dry entrance and a weight of 59Kg.

Color: 

Included: Telescopic ladder 2.3m
8 mm anti-fog mattress
EZI Organizer
EZI Sky clips
EZI Carryall



PU-coating



2 Years warranty



UV50+ Coating



Waterproof 2500mm



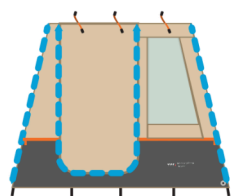
Breathable materials

Specifications

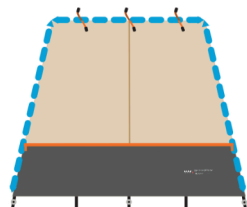
Size Folded	-	143cm x 125cm x 35cm (l x w x h)
Size set up	-	310cm x 143cm x 126cm (l x w x h)
Size mattress	-	230cm x 140cm x 6cm (l x w x h)
Weight	-	59Kg
Fly top fabric	-	420D 100% polyester Oxford 420D
Tent fabric	-	300g canvas (35% cotton / 65% polyester)
Cover fabric	-	PVC (1200D-680g)
Mattress cover	-	100% Tricot for a soft finish
Bottom plate	-	Aluminium Sandwich constructed baseplate with insulation and high-pressure glued.

Sitta panels

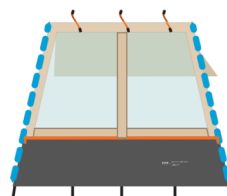
The Annex for the Sitta 140 is made of four panels, one back-panel and three separate panels. You can customize your own Annex with the different panels, the options are:



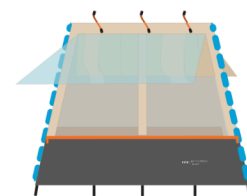
Door and window



Plane panel



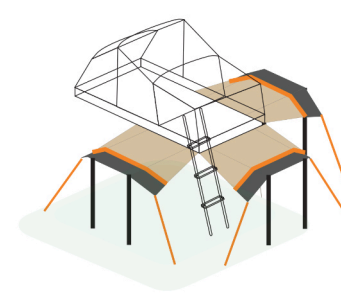
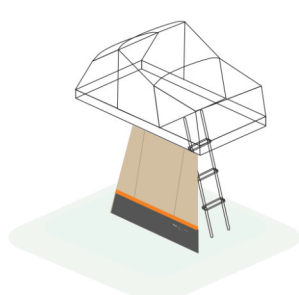
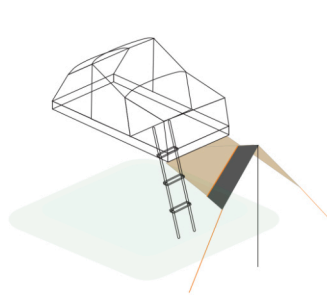
Window and blind



Window and mosquito

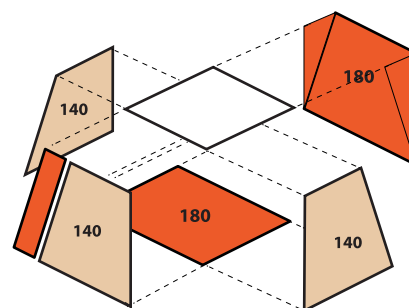
Different ways to build

With the separate panels you can build the Annex as you want, but the panels can also be used like a tarp, waning or wind-stopper.



Usable with the Sitta 180

Thanks to the modular Extension, you can easily grow with your needs! The walls of the Extension are universal. Only the back wall and groundsheet are different sizes and need to be purchased separately. A wide extender is also required for the Sitta Extension 180. As shown in the picture only the orange panels are needed for an upgrade from the Sitta 140 to the Sitta 180.

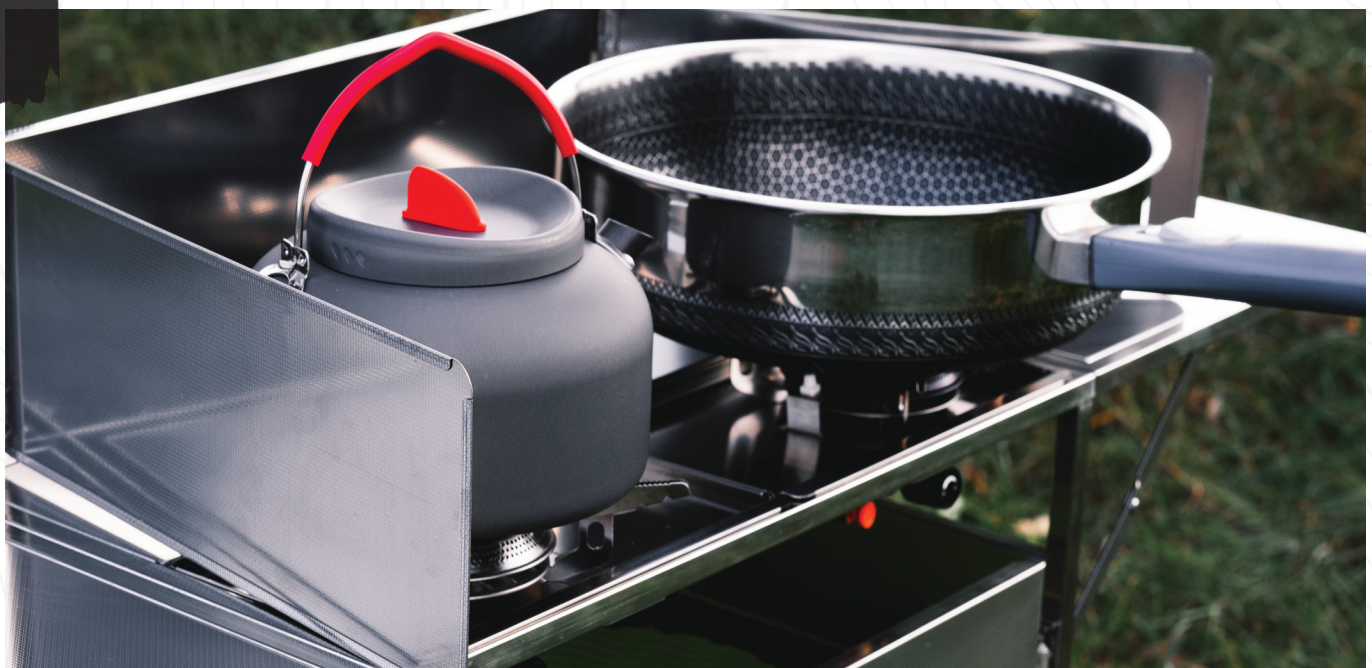


Chuckboxes

Thanks to our camping kitchens you can work at a comfortable height and you no longer have to squeeze yourself into a difficult position. Our chuckboxes are comfortable, easy and quick to use. So you can enjoy your outdoor meal to the fullest! The gas connection of the burners from the chuckboxes is worldwide standard. They are the so-called screw cartouches. They are available in different sizes from 100 grams to 700 grams from different brands.

- 1. Chuckbox S
 - 2. Chuckbox M
 - 3. Chuckbox XL
- Everything you need in a small package
 - The all-in-one kitchen
 - Upgrade for the chuckbox S

Create your own kitchen wherever you are!





Chuckbox S



2 Years warranty

A good adventure comes with good food and to make good food you need a compact but equipped camping kitchen. Our Chuckbox S has big impact in a small package! The Chuckbox S has a packing size of 44cm x 30cm x 33cm. Capable of making a meal for four people, thanks to its two powerful gas burners and compact but large pan set.

Included:

- Foldable sink
- 2 Gas burners 3,55kW
- 1 Windshield
- 2 Pans (19.3cm15.2cm)
- Frying pan 19.7cm
- Water kettle 800ml
- Kitchen knife
- Multi-purpose scissors
- 4 Plates
- 4 Cups
- 4 Sets of cutlery
- Storage box
- Worktop
- Fruit knife
- Vegetable peeler
- Cutting board
- Meat tongs
- Spatula
- Oil and vinegar bottles
- Salt and pepper shaker



Specifications

Size Folded	-	44cm x 30cm x 33cm	(l x w x h)
Size set up	-	100cm x 60cm x 60cm	(l x w x h)
Materials	-	Stainless steel	
Weight	-	12kg	



Chuckbox M



2 Years warranty

The Chuckbox M is the big brother of our Chuckbox S. The Chuckbox M has a packing size of 50cm x 36,5cm x 35cm. In addition to the handle on top, the Chuckbox M also has 2 handles on the side. This makes it with its 23kg good to carry with 1 person but also with two people. The Chuckbox M can, like the S, be placed on its lid. Then there is a worktop height of 68cm so you can use it as worktop or as table.

Included:

- Foldable sink
- 2 Gas burners 3,55W
- 1 Windshield
- 2 Pans (22 en 24cm)
- Frying pan 26cm
- Water kettle 800ml
- Fruit knife
- Vegetable peeler
- Cutting board
- Meat tongs
- Spatula
- Oil and vinegar bottles
- Salt and pepper shaker
- Multi-purpose scissors
- 4 Lunch plates
- 4 Dinner plates
- 4 Cups
- 4 Sets of cutlery
- Storage box
- Worktop / table



Specifications

Size Folded	-	50cm x 36,5cm x 35cm (l x w x h)
Size set up	-	118cm x 68cm x 69cm (l x w x h)
Materials	-	Stainless steel
Weight	-	23kg



Chuckbox XL



2 Years warranty

The Chuckbox XL is the extension of the Chuckbox S. The XL consists of two units; the camping table and the kitchen. In the kitchen is stored the Chuckbox S, extra storage space, extra gas burner and a full-foldable table made of stainless steel. You can buy the Chuckbox XL as a set with the Chuckbox S or as an extension. The Chuckbox XL can be carried by two persons.

Included:

- 1 pcs 7Kw Burner
- Drawer 1 with dividers
- Drawer 2 free to use
- Storage compartment behind burner
- Foldable table
- Windshield

Further contents see Chuckbox S



Specifications

Size Folded	-	84cm x 37 cm x 41,5 cm (l x w x h)
Size set up	-	137cm x 34cm x 75cm (l x w x h)
Size table	-	103cm x 81,5 cm x 75cm (l x w x h)
Materials	-	Stainless steel
Weight	-	34kg

Awnings

The side awnings from Dare to be Different are the perfect way to complete your camp. They provide shelter for rain or sun. They are easy to set up, in just minutes you have created the perfect place to cook, eat or enjoy the outdoors. With our awnings, you can create a comfortable shaded area next to your car within minutes.

1. Quad Awning
2. Penta Awning 180
3. Penta Awning 270

- Quick and easy to use
- Extra space in minutes
- Dry access beside and behind the car

Expanding horizons, enhancing comfort.





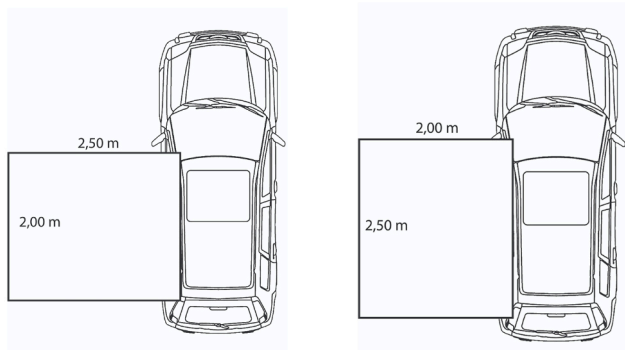
Quad awning



2 Years warranty

Our Quad awnings do not have loose poles, making the awning quick and easy to set up. The awning is available in two different widths, a 2mx2,5m (WxL) and a 2,5mx2m (WxL). It is also possible to close the awning with walls or with the optional under-tent. The Quad awning is suitable for every vehicle and can be mounted on all roof racks.

Options:



Accessories

Side walls long side
Side wall short side
Extension tent

Color



Specifications

Size closed	-	255x15x10 cm or 205x15x10cm
Size set up	-	200 x 250 cm or 250 x200cm
Max height	-	220cm
Materials	-	420D 100% polyester ripstop
Weight	-	7,5kg





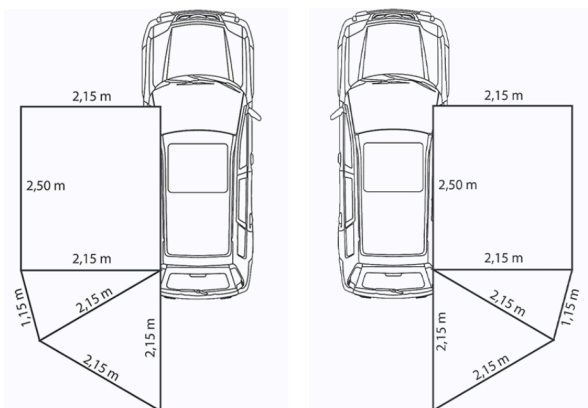
Penta 180 awning



2 Years warranty

Create a comfortable covered space next to your car within minutes with the Penta awning 180. Thanks to the Penta awning 180, you get 9m² of covered space next to your car quickly and easily. Ideal for cooking, eating or sheltering from the rain. The awning is easy to mount on the roof racks of your car.

Options:



Accessories

Side walls long side
Side wall short side

Color



Specifications

Size closed	-	255x15x15 cm
Surface area	-	9 m ²
Max height	-	250cm
Materials	-	420D 100% polyester ripstop
Weight	-	11kg



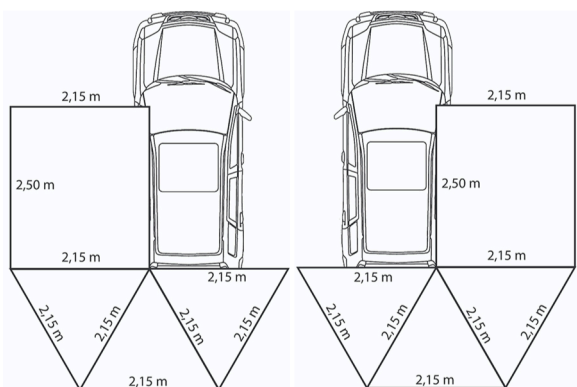
Penta 270 awning



2 Years warranty

With the Penta awning 270, you quickly create 12m² beside and behind the car, so you can always access all your equipment dry. It is also possible to close the awning completely with additional side walls, creating the perfect shelter for rainy days or a cosy place for several to enjoy a drink by the campfire.

Options:



Accessories

Side walls long side
Side wall short side

Color



Specifications

Size closed	-	255x15x15 cm
Surface area	-	12 m ²
Max height	-	250cm
Materials	-	420D 100% polyester ripstop
Weight	-	15kg

A background of a topographic map with intricate contour lines in a light gray color. The lines form various shapes, including elongated ovals and irregular polygons, representing different elevations and geographical features. The overall pattern is dense and covers the entire page.

“

We make it Ezi

”



Ezi sky clips + carryall

The Ezi Carryall is a handy and versatile storage bag. Made as a shoe bag, it can be used as a carryall for a day out. The Ezi Carryall keeps muddy or smelly footwear out of the rooftop tent. Designed to store slippers as well as a pair of hiking boots. Easily attach the Ezi Carryall to the Ezi Sky Clips with the hooks. The Sky clips slide in the gutter of the rooftop tent.

Color



Specifications

Set-up-time	-	1 min
Max Load	-	5 kg
Weatherproof and waterproof		
Can be used as a shoe case, storage bag or shoulder bag		





Anti theft kit

Our anti theft kit consists of four lock nuts with corresponding adapter and four spring washers. With our kit, you can fully equip two of the four mounting points with the lock nuts. This makes dismantling these mounting points with standard tools impossible. Dismantling is only possible with the supplied adapter.

Color

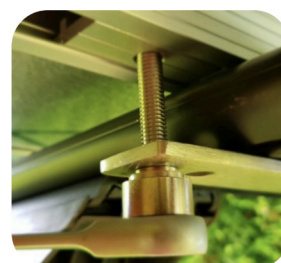


Specifications

Weight - 0,85 kg

Material - Stainless Steel

The Anti theft kit is a delaying tactic and not a guarantee that the rooftop tent cannot be stolen. Dare to be different Outdoor cannot be held liable for this.





Comfort mattress

All our rooftopents come with an 8mm under-mattress as standard, but want to make sleeping even more comfortable? Then use our Cozy Mattress, this mattress is 15mm thick and has a unique 3D structure. This structure ensures better moisture regulation in the rooftopent with the added effect of preventing mildew.

Sizes:

The Comfort mattress is available in the following sizes, it always has a length of 230cm and a height of 15mm.

140cm wide
180cm wide
220cm wide

Available for:

The Comfort mattress comes in three different sizes and is available for the following rooftopents:

All 140 models
180L Deluxe
220XL

Specifications

Thickness	-	15mm
Size	-	230cm x 140/180/220cm x 1,5cm (l x w x h)
Features	-	Moisture regulating and increased sleeping comfort
Materials	-	Plastic, designed in a 3D structure
Weight	-	5 kg



Ezi thermo inner tent

Winter camping is totally hip and, above all, fun to do! But then you need to have the right materials. That is why we have developed the EZI Thermo inner tent. After setting up the rooftop tent, you hang the inner tent on the rooftop tent poles and in no time you have a cosy cave that keeps you warm in sub-zero temperatures.

Experience 365 days of outdoor life

No more excuses to camp in winter. There is nothing better than enjoying the snow from your rooftop tent. No adventure is too crazy!

The synthetic fibers and the warm cotton layer insulate the interior perfectly and heat can be retained for longer.

Available for:

The Comfort mattress comes in three different sizes and is available for the following rooftop tents:

All 140 models
180L Deluxe
220XL

Specifications

Set-up-time	-	Easy setup with velcro in 15min
Use up to	-	-10°C
Sizes	-	140, 180, 220
Materials	-	Synthetic fibers
Weight	-	1,5kg





Ezi hammock

Would you like to put an extra set of clothes in your rooftop tent, or would you like to store your dirty hiking shoes under the rooftop tent? This is now very easy with the Luggage Hammock. Just click the hammock under the rooftop tent and you have extra storage space. It is also possible to hang the hammock in the rooftop tent by the poles for that extra bit of space.

An all-round product:

The luggage hammock is a versatile product, as it is flexible in its use. You can choose to hang the hammock in the rooftop tent for extra storage, for clothes or books. But it can also be stored under the rooftop tent, so you can store large hiking shoes or jackets. Without them lying around in the annex or outside.



Specifications

Set-up-time	-	2 min
Size set up	-	80cm x 40cm (l x w)
Warranty	-	1 year
Materials	-	100% polyester with plastic clips
Weight	-	250 gr



Ezi Slide in wall

The sliding wall allows you to create a sheltered corner under the rooftop tent in one fluid movement. This allows you to sit in the shade or out of rain. A sliding wall is the ideal solution when you travel from day to day and don't feel like putting up an annex.

Available for:

The Sliding Wall is available for the following rooftop tents:

Rooftoptent 140 series
 Rooftoptent 180L Deluxe
 Rooftoptent 220XL

Color:



Specifications

Size Folded	-	40cm x 30 cm x 5 cm
Size set up	-	250/125cm x 230 cm
Materials	-	300g canvas
Weight	-	2kg
Included	-	5 pegs and guide ropes





Ezi UP

The EZI UP is the ultimate multifunctional tool for adventurous campers. This sturdy table is specifically designed to elevate the Chuckbox S and M to standing height, allowing you to cook comfortably wherever you are. With a load capacity of up to 100 kg, the EZI UP is not only ideal for raising your Chuckbox but also serves as a practical step to access your rooftop tent, as footstool, or as a convenient side table at your campsite.

Available for:

Chuckbox S
Chuckbox M

Elevating level

The EZI UP raises the cooking box by 35 cm, bringing it to a comfortable standing height for easier outdoor cooking.

Specifications

Size Folded	-	50,5 x 33,5 cm x 5,5 cm	(l x w x h)
Size set up	-	73cm x 33,5cm x 35cm	(l x w x h)
Weight	-	2,4kg	
Materials	-	Stainless steel	





Ezi Organizer

The Ezi Organizer is the perfect accessory for any adventurous traveller. This handy organizer keeps all your belongings organized and within reach during your camping adventures. Made of sturdy yet soft material, the Ezi Organizer has several pockets in various sizes to store all your stuff. Whether it's your phone, wallet, sunglasses, maps or other small items, the Ezi Organizer makes sure everything stays in place.

Color



Multifunctional:

The organizer easily attaches to the inside of your rooftop tent or the outside of your rooftop tent, making it multi-purpose. When used on the inside you can store your small equipment, such as keys, phone, tablet or toothpaste.

Specifications

Set-up-time	-	5 min
Features	-	Waterproof and foldable
Maintenance	-	Easy to clean with water and soap





Ezi toiletry bag

The Ezi Toiletry Bag offers ample storage for all your personal care essentials, ensuring everything is neatly organized and easily accessible. Equipped with three convenient hooks, you can hang the bag anywhere for easy use, while the additional hooks provide a handy spot for hanging clothing. It even includes a built-in mirror, making it perfect for on-the-go grooming and freshening up. Designed for practicality and convenience, the Ezi Toiletry Bag is the ultimate travel companion for your next adventure.



Ezi divider

Discover the versatility of the Ezi Divider for the 220XL rooftopent! This divider allows you to divide your rooftopent into two separate rooms, creating a private space for you and your kids. The Ezi divider is attached with velcro and can even stay in the tent when it is folded down. Perfect for privacy and comfort during your camping adventures.





Zitterik

This folding chair is small but versatile. The Zitterik weighs practically nothing and is easy to carry. The Zitterik allows you to sit dry, clean, and warm. Thanks to the Zitterik, your back will no longer bother you and you will always have good support. The Zitterik is not only handy for outdoors, but is also good to use as a chair for in the rooftent, when you want to watch some Netflix or to read a book.

Color:



Easy to carry

The Zitterik is designed so that you can take it with you on a walk. So you always have a compact and lightweight chair with you.



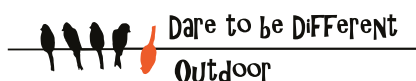
Specifications

Size Folded	-	42 cm x 10 cm
Size set up	-	Seat and backrest 49 cm x 39 cm
Filling	-	10mm closed cell
Materials	-	Waterproof 420D polyester
Weight	-	305 gram

Keep in touch

Zwolseweg 333
7345 AA Wenum Wiesel
Nederland

T: +31 6 43893158
E: info@dtbdoutdoor.eu
W: dtbdoutdoor.eu



Reinoud van der Waard.



Disclaimer

Use of this Catalogue. The information in this catalogue is exclusively intended as general information. No rights can be derived from the information in this catalogue. Although Dare to be different Outdoor B.V. uses sources deemed reliable in compiling and maintaining this catalogue, Dare to be different Outdoor B.V. cannot guarantee the accuracy, completeness and timeliness of the information provided. Dare to be different Outdoor B.V. also does not guarantee that the catalogue is error-free. Receiving any of the products/services from Dare to be different Outdoor B.V. through this Outdoor Catalogue does not guarantee you any results, as results vary from person to person. Dare to be different Outdoor B.V. explicitly disclaims any liability for the accuracy, completeness or timeliness of the information provided in this catalogue.

Use of information

Dare to be different Outdoor B.V. reserves all intellectual property and other rights with respect to all information provided through this catalogue (including all texts, graphics, and logos). It is not allowed to copy, digitize or in any way publish, distribute or reproduce information in this catalogue without the prior written consent of Dare to be different Outdoor B.V. or the appropriate consent of the owner. The information in this catalogue is for personal use only.

Third party information, products, and services

Reference in this catalogue to information regarding gas supplying companies must always be verified with these parties for accuracy. Dare to be different Outdoor B.V. assumes no liability and no responsibility for the content originating from these parties.

Changes

Dare to be different Outdoor B.V. reserves the right to change the information provided in or via this catalogue, including the text of this disclaimer, at any time, without further notice. It is recommended to periodically check whether the information offered in this catalogue, including the text of this disclaimer, has changed.

Applicable law

Dutch law shall apply to this Catalogue and the disclaimer. All disputes arising out of or in connection with this disclaimer shall be submitted exclusively to the competent court in the Netherlands.

The background of the image is a topographic map with contour lines. A white, torn-edge paper shape is placed over the center of the map. The text is printed on this paper.

**Travel to
your dream
destination**